



SERVING THE FOOD INDUSTRY SINCE 1951

Medium-Duty Meat Mixer with 110lb / 50kg Capacity

ITEM: 13153

MODEL: MM-BR-0050

Makes day-to-day production easier and cost effective.

Ideal for small to medium applications, Omcan's Medium-Duty Meat Mixer has a stainless steel tank, mixing blades and cover, a cast iron structure, and steel body. This machine mix meats and additives consistently.

FEATURES:

- Allows consistent mixing of meats and additives
- Transmission consists of a chain and a belt
- Tilting tank is mounted on self-adjustable ball bearings and is equipped with a tank lock
- Safety device



Telephone: 1-800-465-0234

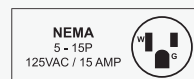
Fax: (905) 607-0234

Email: sales@omcan.com

Website: www.omcan.com



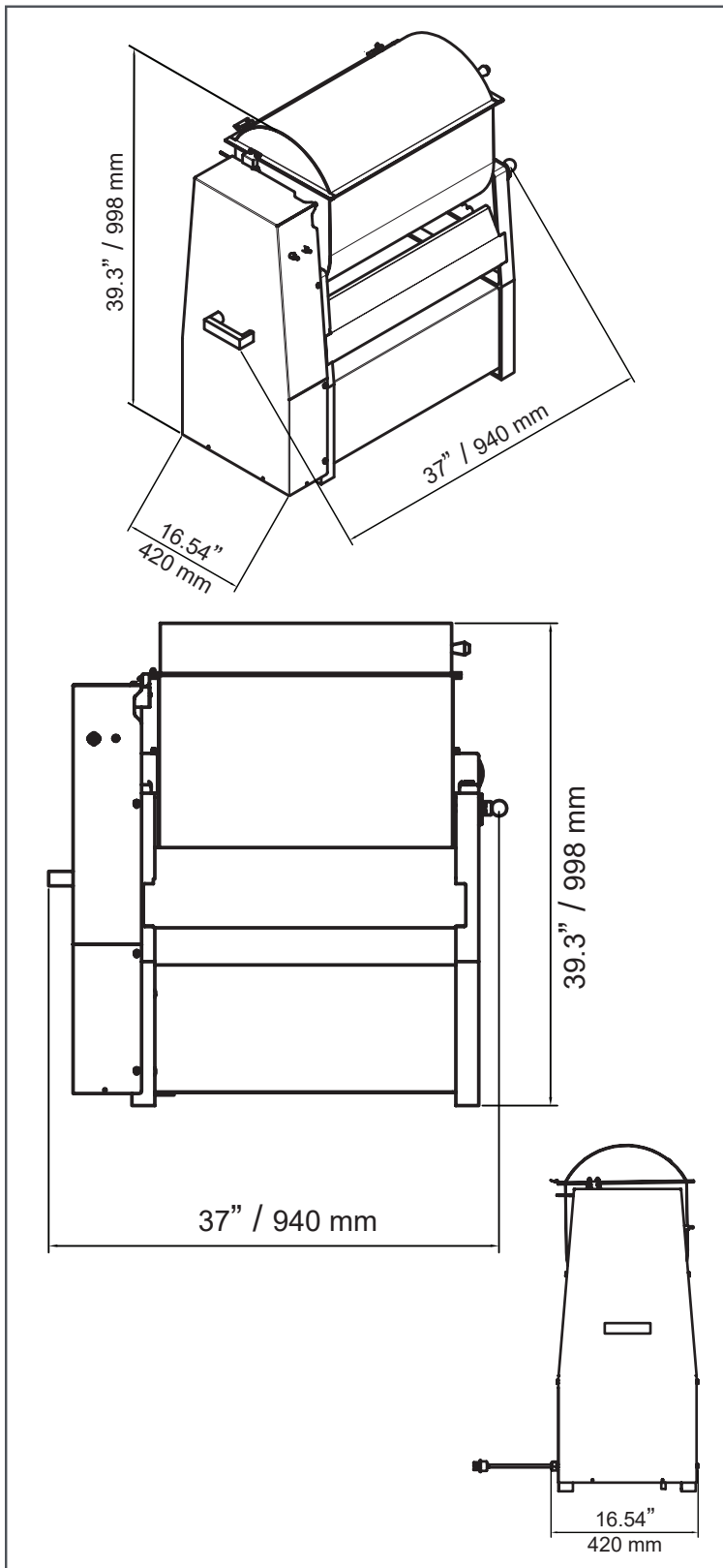
Authorized Dealer



(Version 2023.10)

Page 1 / 2

TECHNICAL DRAWING



TECHNICAL SPECIFICATION

Item	13153
Model	MM-BR-0050
Capacity (Bowl)	110 lb. / 50 kg.
RPM	50
Power	0.5 HP / 370 W
Amps	3.4A
Electrical	110V / 60Hz / 1Ph
Net Weight	200 lb. / 91 kg
Net Dimensions (WDH)	37" x 16.5" x 39.3" / 940 x 420 x 998 mm
Gross Weight	250 lb. / 113 kg.
Gross Dimensions (WDH)	41" x 20" x 43" / 1041.4 x 508 x 1092.2 mm
PLUG TYPE	NEMA 5-15P